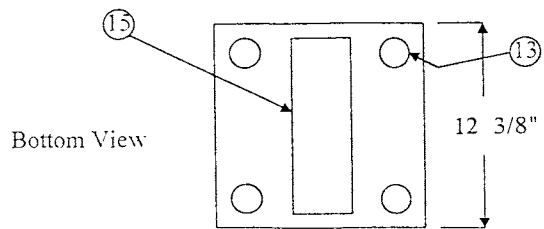
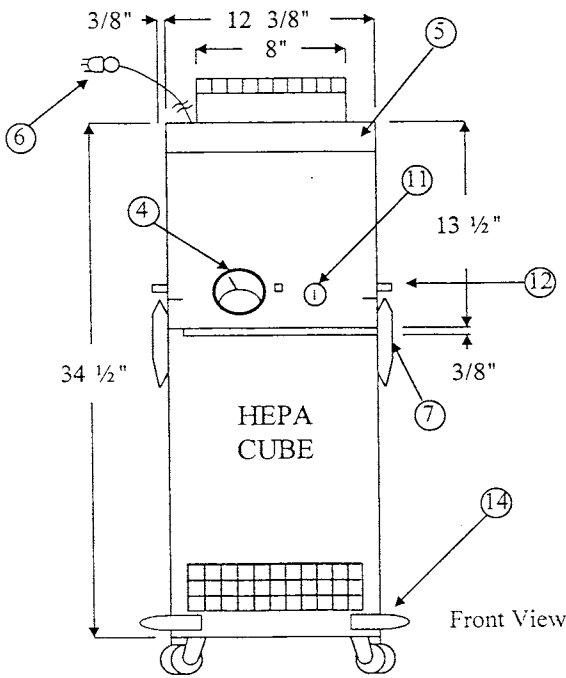
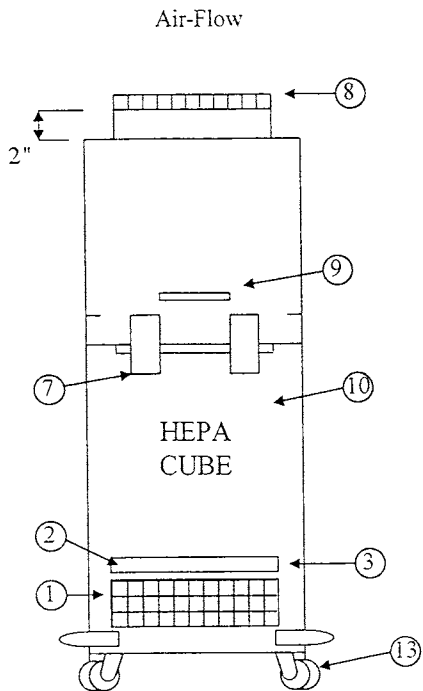
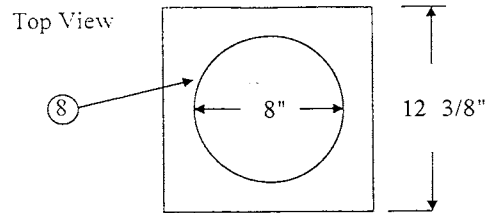


**BIOLOGICAL Controls**  
 SUBMITTAL DRAWING  
 EX-BB VE PORTABLE



- (1) INLET GRILLE, 4 SIDES AND BOTTOM
- (2) 1 EA. 1" TWO-PLY POLYESTER SYNTHETIC 35% EFFICIENT PRE-FILTER PANEL
- (3) PRE-FILTER ACCESS PANEL
- (4) 1 EA. MINIHELIC STATIC PRESSURE GAUGE
- (5) 1 - BLOWER, PSC FORWARD CURVED, 1/5 HP, 115V - 50/60 Hz, TWO SPEED, 3.2A (HIGH) 2.07A (LOW) THERMAL RESET PROTECTED, AIRFLOW 495 HIGH, 435 LOW
- (6) 1 EA. SIX (6) FOOT CORD, 18/3 CORD WITH 115V HOSPITAL GRADE PLUG
- (7) 4 EA. HEPA FILTER CUBE DRAW LATCHES
- (8) 8" ROUND EXHAUST DUCT with 2" COLLAR
- (9) UNIT CONSTRUCTED OF 20 GA. STAINLESS TYPE 304, #4 FINISH
- (10) 1 EA. 12.375 X 12.375 X 21" HIGH CAPACITY HEPA FILTER RATED 99.99% ON 0.3 MICRON SIZE PARTICLES, DOVE GRAY PLASTIC LAMINATED EXTERIOR
- (11) HIGH / OFF / LOW - KEYED SWITCH
- (12) TRANSPORT HANDLES - 2
- (13) 4 EA. SWIVEL PLATE, 3" SOLID BLACK RUBBER WHEELS (2 EA. WITH BRAKES)
- (14) 1 " GRAY RUBBER MOLDED BUMPERS ON FOUR CORNERS
- (15) BASE INTAKE DUCT

Notes:  
 ELECTRICAL REQUIREMENTS: 115V, 1 ph, 60 Hz., 1.0 FLA, 5 AMP FUSE,  
 ELECTRICAL WIRING IS IN ACCORDANCE WITH THE LATEST NEC STANDARDS

DRAWN FOR  STANDARD	<b>BIOLOGICAL Controls</b> 749 Hope Road Suite A Eatontown, NJ 07724			
	TITLE <b>MICROCON EX-BB-VE Portable Vertical Exhaust</b>			
DRAWN BY <b>LVB</b>	SIZE	JOB NO.	DWG NO.	REV
APPROVED BY	SCALE 1 1/2" = 1'- 0"	DATE July 15, 2002	SHEET	